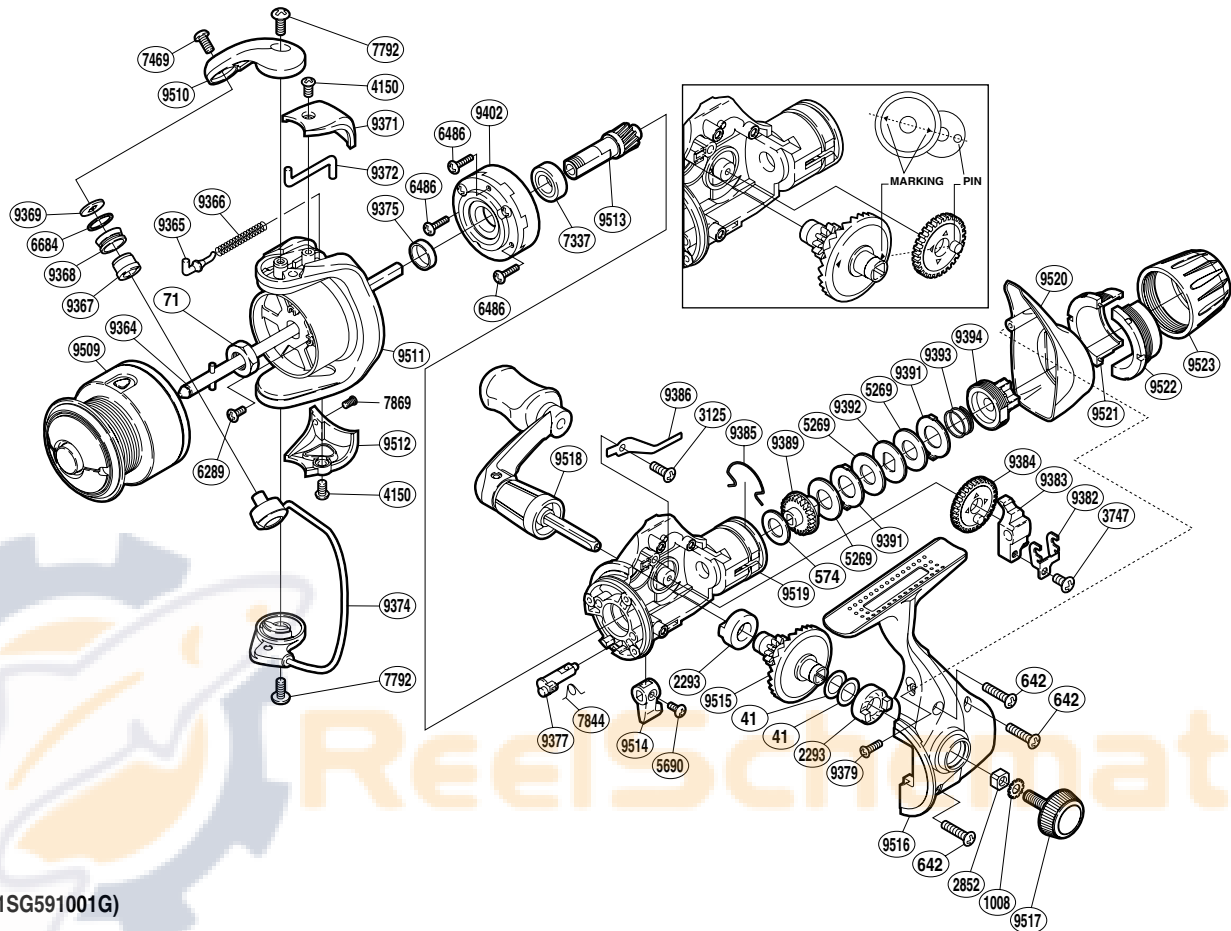


SHIMANO®

Alivio

ALV-1000RA



(1SG591001G)

Part No.	Description	Part No.	Description	Part No.	Description
RD 0041	Washer	RD 9364	Main Shaft	RD 9393	Drag Coil Spring
RD 0071	Rotor Nut	RD 9365	Bail Spring Guide	RD 9394	Pressure Screw
RD 0574	Drag Washer C (cloth)	RD 9366	Bail Spring	RD 9402	Roller Clutch Assembly
RD 0642	Screw	RD 9367	Line Roller Bushing	RD 9509	Spool Assembly
RD 1008	Handle Lock Washer	RD 9368	Line Roller	RD 9510	Bail Arm
RD 2293	Drive Gear Bushing	RD 9369	Line Roller Washer	RD 9511	Rotor
RD 2852	Handle Screw Lock	RD 9371	Bail Spring Cover	RD 9512	Bail Hold Support Guard
RD 3125	Screw	RD 9372	Bail Trip Lever	RD 9513	Pinion Gear
RD 3747	Screw	RD 9374	Bail Assembly	RD 9514	Anti-Reverse Lever
RD 4150	Screw	RD 9375	Rotor Ring	RD 9515	Drive Gear
RD 5269	Drag Washer H (blue)	RD 9377	Anti-Reverse Cam	RD 9516	Side Cover
RD 5690	Screw	RD 9379	Screw	RD 9517	Handle Screw Cap
RD 6289	Screw	RD 9382	Oscillating Slider Retainer	RD 9518	Handle Assembly
RD 6486	Screw	RD 9383	Oscillating Slider	RD 9519	Body
RD 6684	Line Roller Spacer	RD 9384	Oscillating Gear	RD 9520	Rear Protector
RD 7337	Ball Bearing	RD 9385	Hold Click Spring	RD 9521	Drag Programmer B1
RD 7469	Screw	RD 9386	Drag Click	RD 9522	Drag Programmer B2
RD 7792	Screw	RD 9389	Drag Shaft	RD 9523	Drag Programmer A
RD 7844	Anti-Reverse Cam Spring	RD 9391	Eared Washer		
RD 7869	Screw	RD 9392	Key Washer		